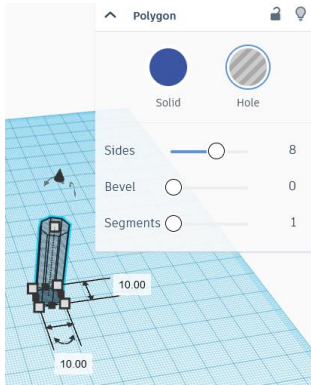
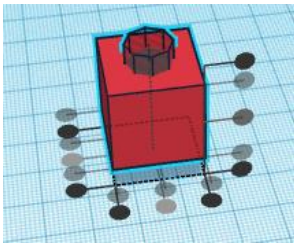


Project Make, Tinkercad final project

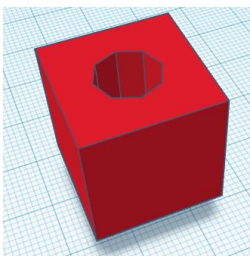
1. Create a cube that is 20mm on each side (this is the default cube size).
2. Create a polygon that is a hole object that has 8 sides and is 10 by 10 by 30 :



3. Select the polygon and the cube and use the center tools to center them in all directions:

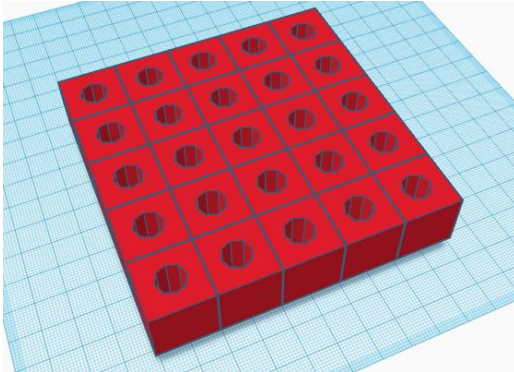


4. Group the two shapes, and you should have a cube with an octagonal hole through it like this:

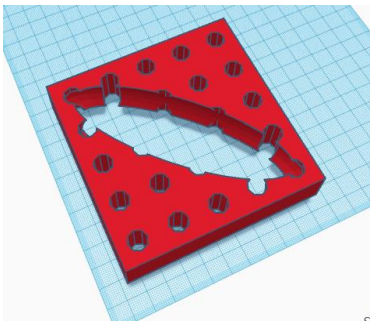


(continued on next page)

- Duplicate this cube several times and arrange all of the copies in a five by five arrangement like this:



- Group the pieces so they are a single piece.
- Make a sphere hole that is 130 mm by 40 mm by 40 mm. Rotate it 45 degrees horizontally. Use the centering tools to center it with your other object. Select both, and group. Your project should now look like this:



- Write your name using the text tool. Size it and rotate it so it will fit in the center of the big hole. Move it there. Change it to a different color than the other object.



(continued on next page)

9. Rename your project inside Tinkercad to be your name plus "final project".
10. Call me over to check you off in person, then turn in a share link on the Google Classroom.