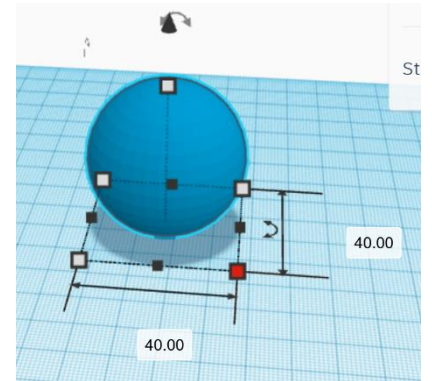
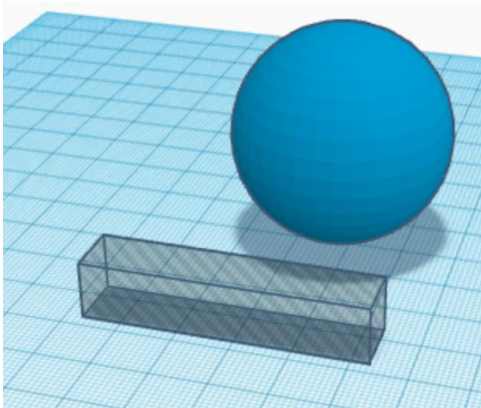


Tinkercad Practice
Make 1 and Make 2

Create a new Tinkercad project.

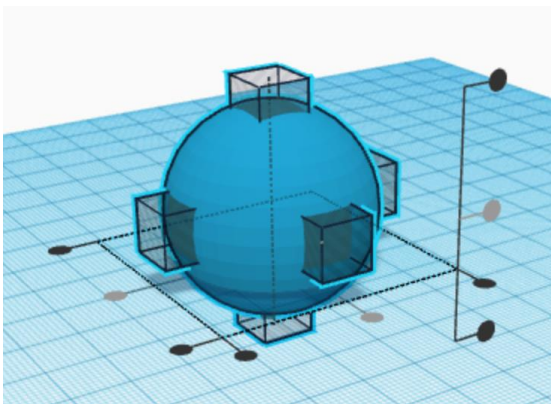
Create a sphere. Set the size to 40 mm in all directions.

Create a hole box object that is 50 by 10 by 10mm.



Duplicate it, and rotate the duplicate 90 degrees horizontally. Duplicate one of them again and rotate it 90 degrees vertically.

Select all four objects and use the Align tool to make them all centered vertically and horizontally in all directions.



Group everything so the holes disappear. Raise the sphere so it's not below the workplane. Write your name using the text tool. Stretch it out so that it shows on both sides, going through one of the holes.

Turn in a share link when you are done.

